

DRIVER, TRACK AND RESULTS

DRIVER COUNTRY WEATHER AIR TEMP TRACK TEMP DRY INTERMEDIATE WET

RACE DATE QUALY POS. STARTING POS. FINAL POS. FASTEST LAP

TRACK TYPE TIGHT MEDIUM OPEN GRIP LOW MEDIUM HIGH

SURFACE CONDITION SMOOTH ROUGH

TYPE HARD PACKED CLAY MULTI/SURFACE GRASS BLUE GROOVE DIRT ASTRO-TURF

FRONT SHOCK ABSORBERS		REAR	
<input type="text"/> cst	OIL	<input type="text"/> cst	
SPRINGS			
<input type="text"/> mm	REBOUND	<input type="text"/> mm	
N° HOLES <input type="text"/>	Ø <input type="text"/> mm	PISTONS N° HOLES <input type="text"/>	Ø <input type="text"/> mm
<input type="checkbox"/> STRAIGHT <input type="checkbox"/> ANGLED	HOLES TYPE	<input type="checkbox"/> STRAIGHT <input type="checkbox"/> ANGLED	
<input type="checkbox"/> BLADDER	SEAL	<input type="checkbox"/> BLADDER	
<input type="checkbox"/> EMULSION	TYPE	<input type="checkbox"/> EMULSION	

ANTI-ROLL BARS	
FRONT ANTI-ROLL BAR <input type="text"/> mm	REAR ANTI-ROLL BAR <input type="text"/> mm

DIFFERENTIALS		
FRONT DIFF <input type="checkbox"/> HTD <input type="checkbox"/> STD	CENTER DIFF <input type="checkbox"/> HTD <input type="checkbox"/> STD	REAR DIFF <input type="checkbox"/> HTD <input type="checkbox"/> STD
<input type="text"/> cst	<input type="text"/> cst	<input type="text"/> cst

GEARING	
CLUTCH BELL <input type="text"/> Teeth	SPUR GEAR <input type="text"/> Teeth

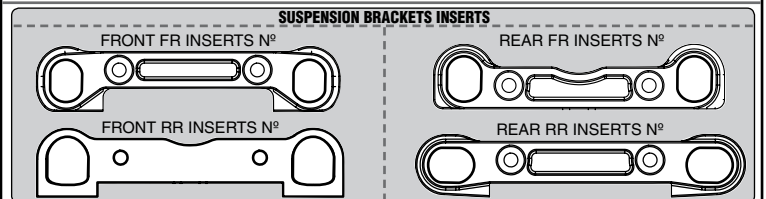
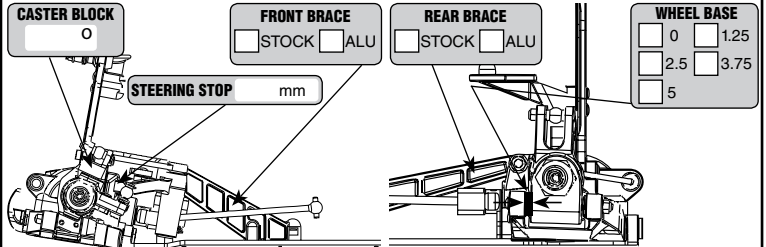
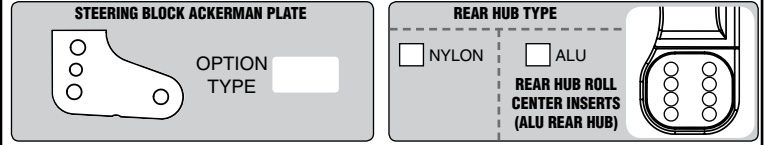
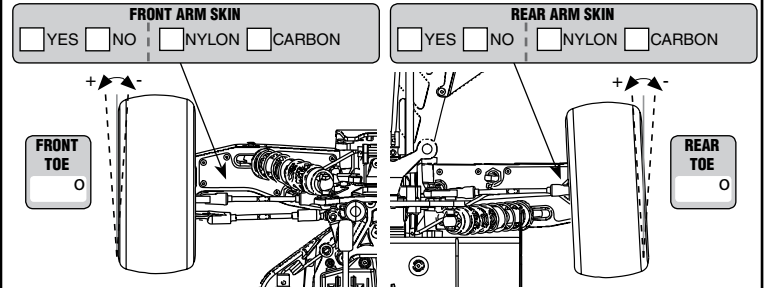
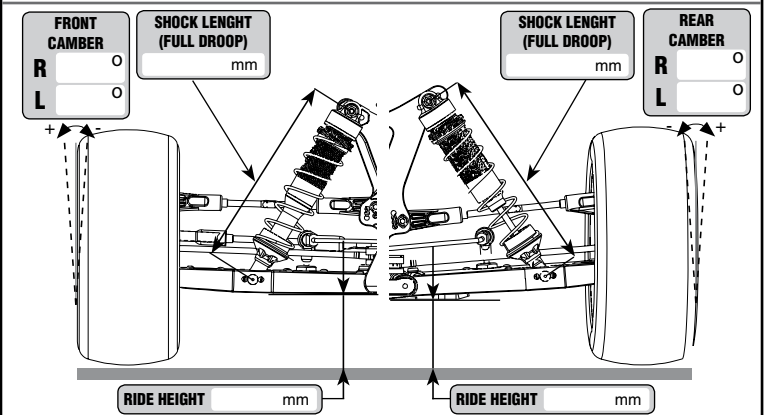
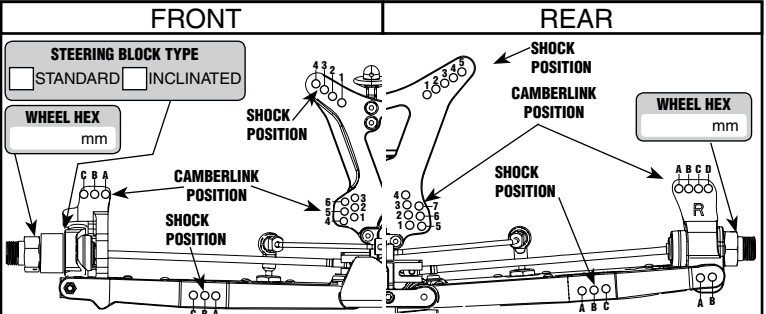
CLUTCH	
CLUTCH BELL <input type="checkbox"/> STANDARD <input type="checkbox"/> VENTED	FLYWHEEL <input type="checkbox"/> STEEL <input type="checkbox"/> ALU
CLUTCH SHOES	CLUTCH SPRINGS
SHOE TYPE <input type="text"/> x <input type="text"/> with	SPRINGS TYPE <input type="text"/> mm
SHOE TYPE <input type="text"/> x <input type="text"/> with	SPRINGS TYPE <input type="text"/> mm

ENGINE, PIPE AND FUEL	
ENGINE BRAND <input type="text"/>	TYPE <input type="text"/>
HEADSHIMS <input type="text"/> mm	GLOWPLUG <input type="text"/> CARB Ø <input type="text"/> mm
EXHAUST PIPE <input type="text"/>	MANIFOLD <input type="text"/>
FUEL BRAND <input type="text"/>	NITRO <input type="text"/> %

FLEX CONFIGURATION	
ENGINE MOUNT <input type="checkbox"/> STANDARD <input type="checkbox"/> MONOBLOCK	

AERODYNAMIC CONFIGURATION	
BODY <input type="checkbox"/> STANDARD <input type="checkbox"/> HIGH DOWNFORCE <input type="checkbox"/> OTHER	
WING	
TYPE <input type="text"/>	WING PLATES <input type="checkbox"/> 2° <input type="checkbox"/> 4° <input type="checkbox"/> 6°
GURNEY STRIP <input type="checkbox"/> YES <input type="checkbox"/> NO	CENTER FOIL <input type="checkbox"/> YES <input type="checkbox"/> NO

FRONT TIRES		REAR	
<input type="text"/> MAKE	<input type="text"/> MAKE	<input type="checkbox"/>	<input type="checkbox"/>
<input type="text"/> TYPE	<input type="text"/> TYPE	<input type="checkbox"/>	<input type="checkbox"/>
<input type="text"/> INSERTS	<input type="text"/> INSERTS	<input type="checkbox"/>	<input type="checkbox"/>
<input type="text"/> WHEELS	<input type="text"/> WHEELS	<input type="checkbox"/>	<input type="checkbox"/>



REMARKS